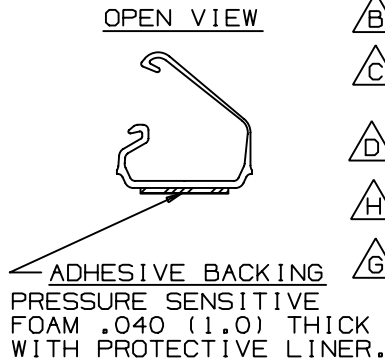
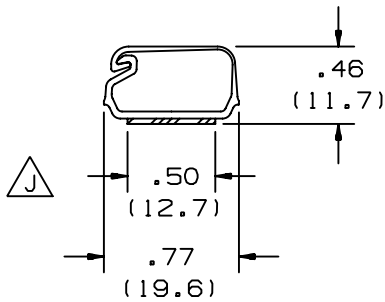


THIS COPY IS PROVIDED ON A RESTRICTED BASIS AND IS NOT TO BE USED IN ANY WAY DETRIMENTAL TO THE INTERESTS OF PANDUIT CORP.



	PART NAME	PANDUIT PART NUMBER (SEE NOTE 1)	COLOR	LENGTH in. (mm.)	STATIC LOAD (SEE NOTE 2)	APPROX. WEIGHT
△E	LATCHING DUCT	LD3**6-A	-----	72.0±.09 (1829±2.3)	.30 lbs/in (5.4 g/mm)	.045 lbs/ft (.067 g/mm)
△B	LATCHING DUCT	LD3**8-A	-----	96.0±.09 (2438±2.3)	.30 lbs/in (5.4 g/mm)	.045 lbs/ft (.067 g/mm)
△C	LATCHING DUCT	LD3**10-A	-----	120.0±.09 (3048±2.3)	.30 lbs/in (5.4 g/mm)	.045 lbs/ft (.067 g/mm)
△D	LATCHING DUCT	LD3**2-A	-----	78.74±.09 (2000.0±2.3)	.30 lbs/in (5.4 g/mm)	.045 lbs/ft (.067 g/mm)
△H	LATCHING DUCT	LD3**3-A	-----	118.11±.09 (3000.0±2.3)	.30 lbs/in (5.4 g/mm)	.045 lbs/ft (.067 g/mm)
△G	LATCHING DUCT	LD3**3-A	-----	118.11±.09 (3000.0±2.3)	.30 lbs/in (5.4 g/mm)	.045 lbs/ft (.067 g/mm)

- △E NOTES:
1. SEE CURRENT CATALOG FOR ADDITIONAL PART NUMBER SUFFIXES TO INDICATE COLOR AND OR PACKAGE QUANTITY.
 2. PART IS DESIGNED TO SUPPORT MAXIMUM WEIGHT ON A CLEAN, DRY, SMOOTH SURFACE. THE SURFACE MUST BE PROPERLY PREPARED IN ACCORDANCE WITH PANDUIT RECOMMENDATIONS.
 3. TO APPLY PART:
 - a. REMOVE PROTECTIVE LINER.
 - b. PLACE PART IN DESIRED LOCATION.
 - c. APPLY PRESSURE TO FLAT SURFACE OF PART.



NO WARRANTY, EXPRESSED OR IMPLIED, IS MADE BY PANDUIT WITH RESPECT TO ADHESIVE BOND PERFORMANCE. AMONG OTHER THINGS, THE CONDITIONS UNDER WHICH THESE MOUNTS MAY BE APPLIED AND/OR THE SURFACE TO WHICH THEY MAY BE APPLIED ARE BEYOND PANDUIT'S CONTROL.

DIMENSIONS IN PARENTHESES ARE METRIC.

CAD FILENAME/LAYERS △K △F D20103BA_DC_LD3_03A.PRT

REV	DATE	BY	CHK	DESCRIPTION	ECN	R	CUST	SUP	PANDUIT CORP. TINLEY PARK, ILLINOIS		LATCHING DUCT (LD3) CUSTOMER DRAWING	
8	6-12-03	JBN	RMH	K. CAD FILE NAME WAS D20103BA_LD3_LC3_02 J. REVISED TAPE WIDTH: WAS .62 (15.7)	20103		RGRO	RGRO	UNLESS OTHERWISE SPECIFIED, DIMENSIONAL TOLERANCES ARE: (.X) ± (.XXX) ± (.XX) ±.03 (.8) ANGLES ±		UNLESS OTHERWISE SPECIFIED, ALL DIMENSIONS ARE GIVEN IN INCHES, THIRD ANGLE PROJECTION.	
7	11-30-96	DW	HIW	H. ADDED LD3**2-A AND LD3**3-A; I. REV'D NOTE 2. G. REMOVED LC3-A LATCHING CLIP, AND REMOVED FROM TITLE.	20103		HIW	HIW	DRAWN BY GDN		SCALE FULL	
6	2-13-98	PM	HIW	F. FILE NAME WAS DPC.LD3-LC3/C E. REVISED CHART AND NOTES	20103		HIW	HIW	DATE 7-30-85		DRAWING NO. SS-20103	
5	7-5-91	DW	CEF	D. REVISED COLOR FOR LC3-A: INT. GRAY WAS LIGHT GRAY.	20103		5		CHK'D WJB		DWG A SIZE	
-	-----	--	--	C. OMIT PARTS LD3B66-A, LD3L66-A, LD3L16-A B. ADDED PARTS LD3I66-A AND LD3I16-A	-----		--		MAT'L: RIGID PVC (POLYVINYL CHLORIDE)			
4	11-25-87	LDB	WJB	A. ADDED PARTS LD3E16-A & LD3L16-A	20103		4					
3	2-12-87	RN	WJB	REVISED AND REDRAWN	20103		3					